

NT33 —

2SBCF2(D)

Product Specification



Product Specification

NT33-2SBCF2(D)

Product Characteristics

- Frame lifting range : 715-1195mm
- Frame telescoping range : 990-1400mm
- Compatible tabletop length : 1000-1600mm
- Foot length optional : 600mm
- Column hole-free design
- Load Capacity : 80kg (176lb)
- Maximum speed : 38mm/s
- Low Noise Level : < 50dB
- Anti-collision
- Standby : < 0.1W
- Surface : Spray plastic
 - white (standard)
 - black (standard)
 - gray (standard)
- Package Size : 1050x260x185mm
- Gross Weight : 19.2/17.7



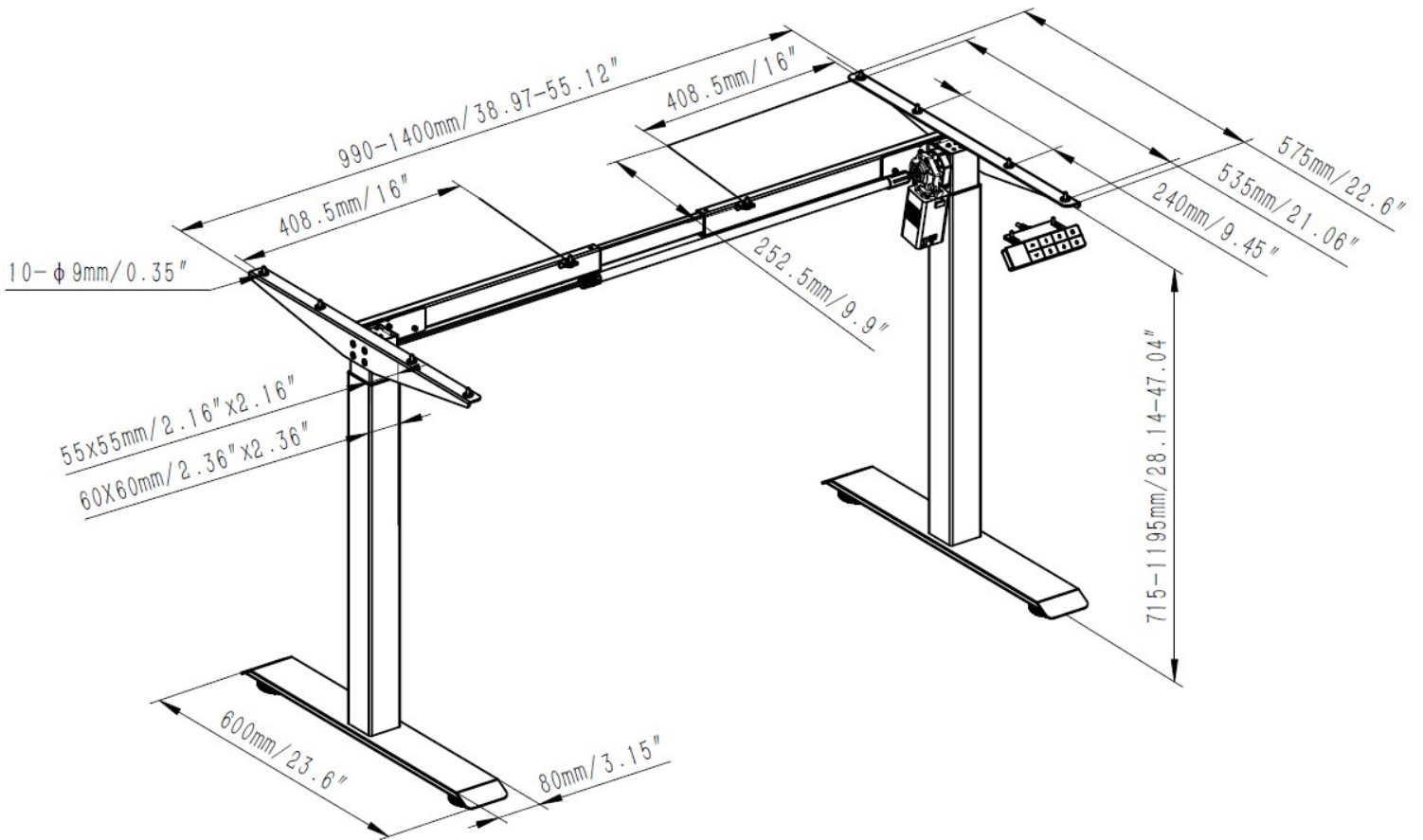
Available options

- Support customize colors
- Match with any hand controller
- Available with many type of feet

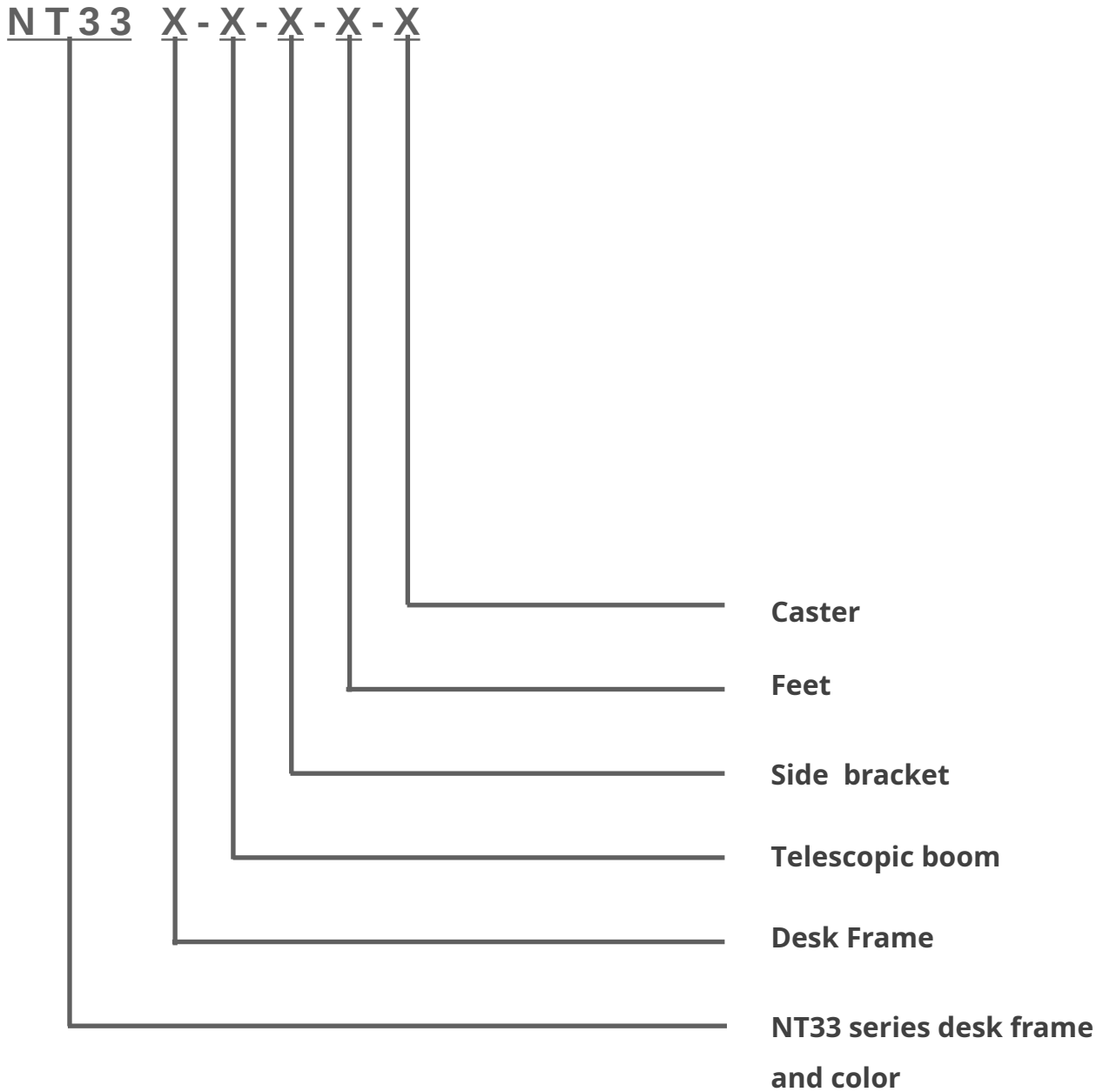
Usage

- Work schedule: 10%, 2 minutes of work and 18 minutes of rest
- Usage environment: Indoor
- Storage and Transportation
Temperature:-10°C ~ 70°C

Dimension drawing



Examples of naming rules



F represents no holes / A represents upwards / R represents reverse