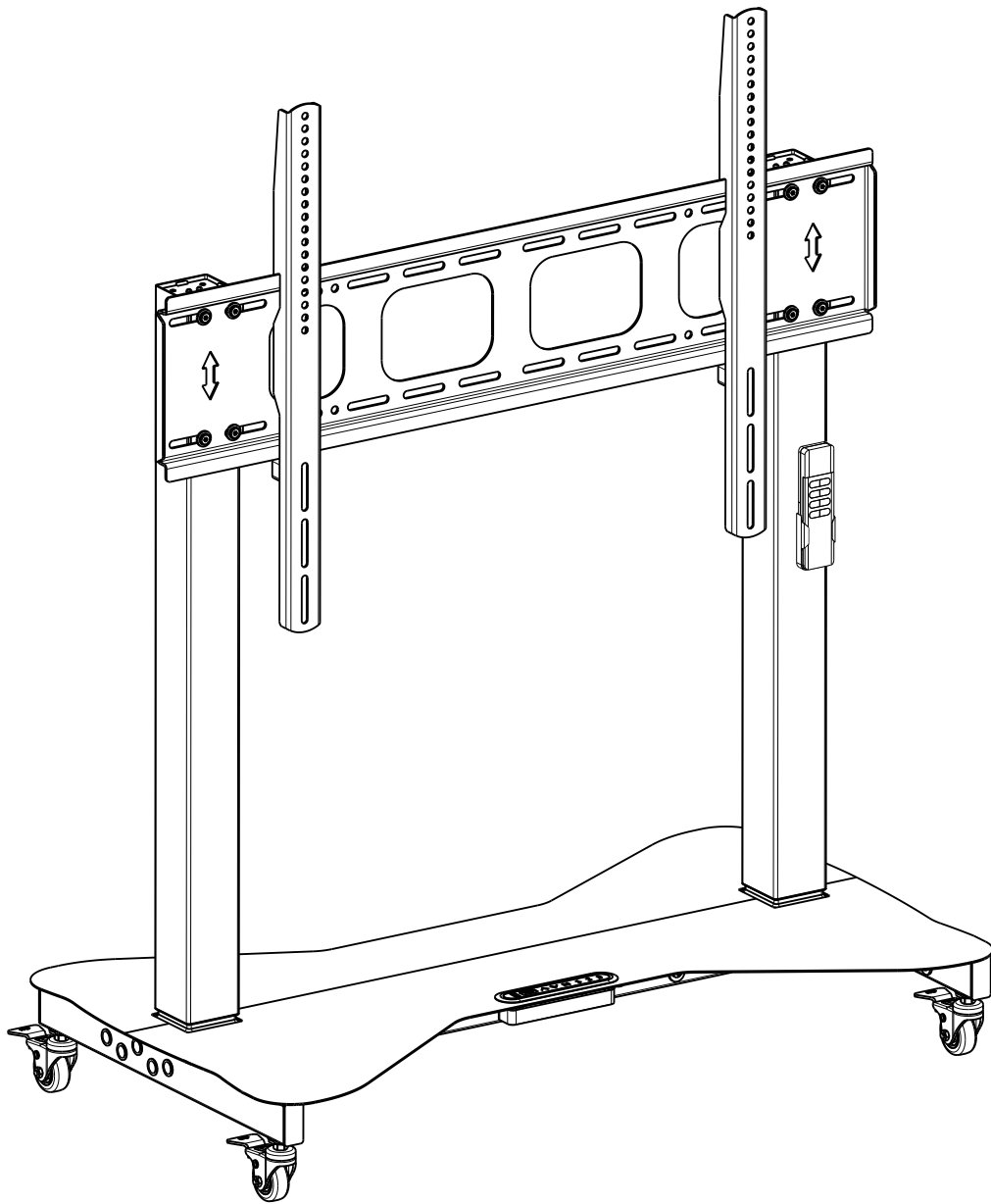


# ***Assembly Instruction***



***-Office Desk***

***-Electric lifting table***

# Installation tips

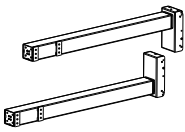


Please don't tighten the screws completely and go back later for a final tightening of all the screws after pieces are aligned with each other .

Lay a mat or old blanket out to assemble onto so the floor and the furniture doesn't get scratched or damaged during building.

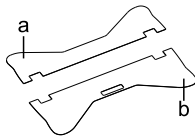
# Part List

①



Lift Column \*2

②



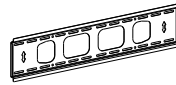
Cover Plate \*2

③



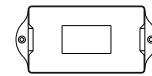
TV Bracket \*2

④



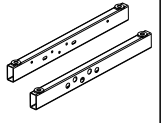
Wall Plate \*1

⑤



Control Box \*1

⑥



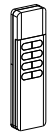
Foot \*2

⑦



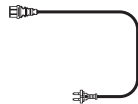
Handset \*1

⑧



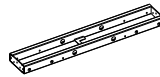
Remote \*1

⑨



Wires \*1

⑩



Frame \*1

⑪



Leveling Studs \*4

⑫



Shelf \*1

# Accessory Kit-1

Ⓐ



Qty\*8  
M6×8  
Screws

Ⓑ



Qty\*4  
M8×8  
Screws

Ⓒ



Qty\*8  
Shim

Ⓓ



Qty\*22  
M6×12  
Screws

Ⓔ



Qty\*18  
Guide  
Sleeve

Ⓕ



Qty\*4  
Plug

Ⓖ



Qty\*5  
Cable  
Clips

Ⓗ



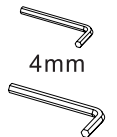
Qty\*1  
Pot  
Magnet

Ⓘ



Qty\*1  
M4×5  
Screws

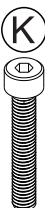
Ⓙ



4mm  
5mm  
Allen  
Wrench

# Accessory Kit-2

Ⓚ



Qty\*2  
M5×40  
Screws

Ⓛ



Qty\*4  
φ8Xφ18X10  
Shim

Ⓜ



Qty\*4  
M6Xφ16X1.5  
Shim

Ⓝ



Qty\*4  
M8Xφ16X1.5  
Shim

Ⓞ



Qty\*4  
M4×25  
Screws

Ⓟ



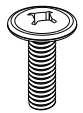
Qty\*4  
M5×25  
Screws

Ⓠ



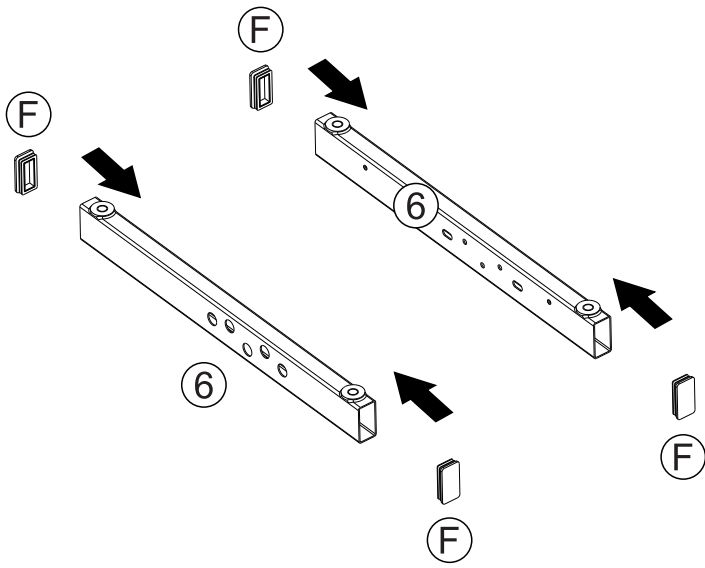
Qty\*4  
M6×25  
Screws

Ⓡ



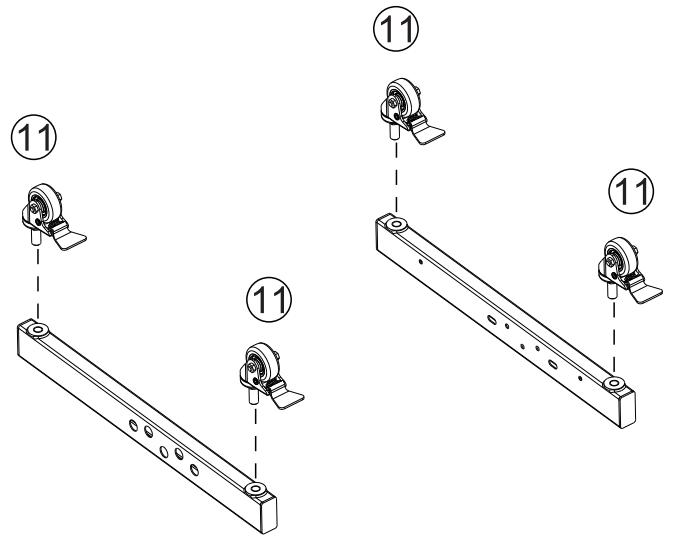
Qty\*4  
M8×25  
Screws

## STEP 1



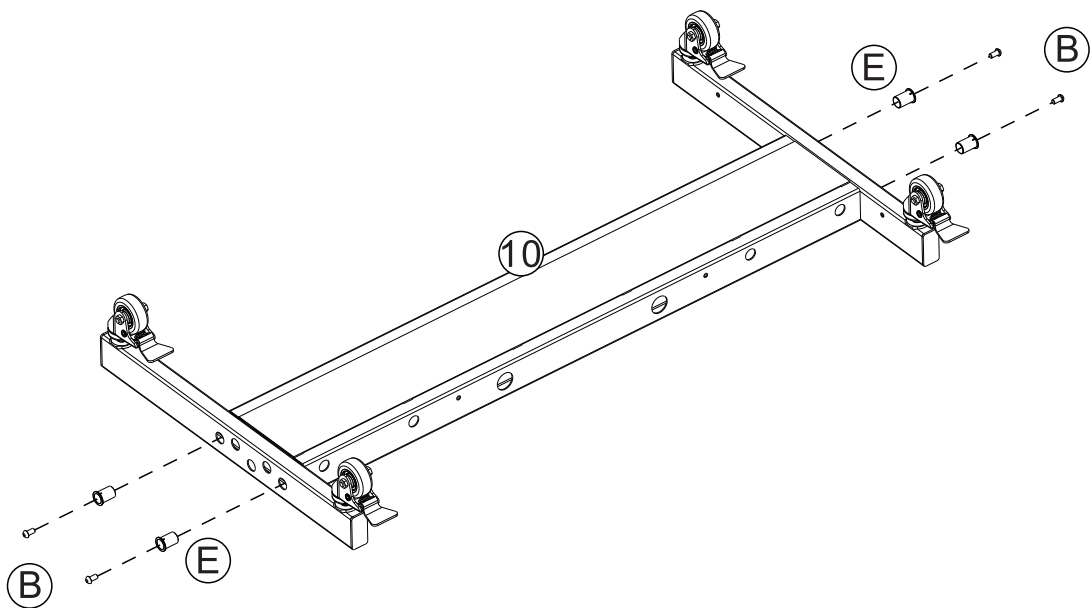
- ⑥ Foot \*4
- ⑦ Plug \*4

## STEP 2



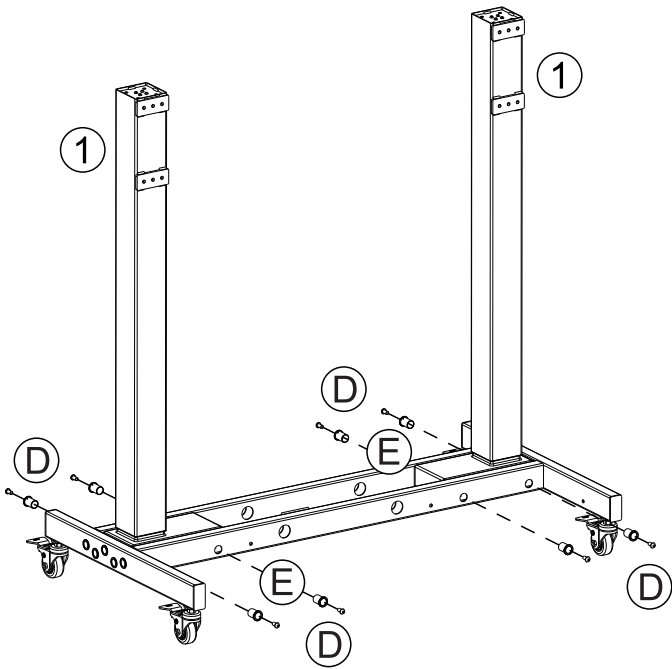
- ⑪ Leveling Studs \*4

## STEP 3



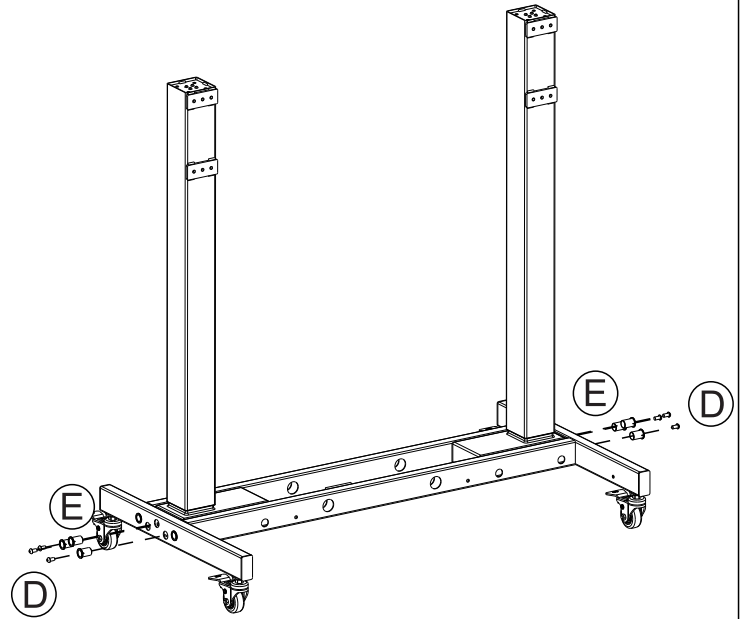
- ⑩ Frame \*1
- ⑫ M8×8 Screws \*4
- ⑬ Guide Sleeve \*4

## STEP 4



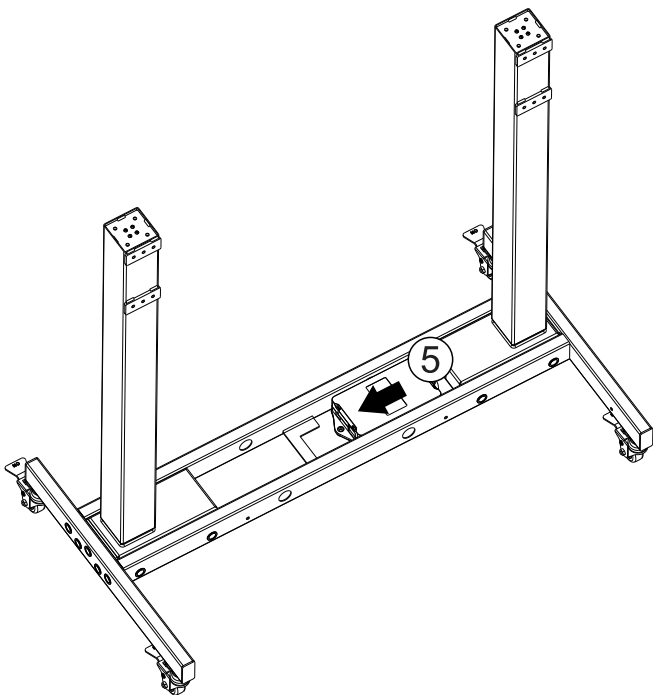
- ① Lift Column \*2
- ⓓ M6×12 Screws \*8
- ⓔ Guide Sleeve \*8

## STEP 5



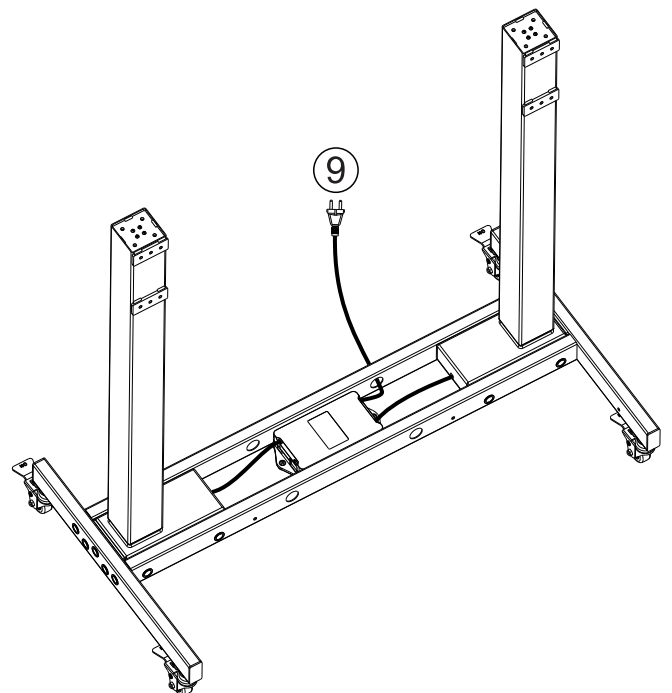
- ⓓ M6×12 Screws \*6
- ⓔ Guide Sleeve \*6

## STEP 6



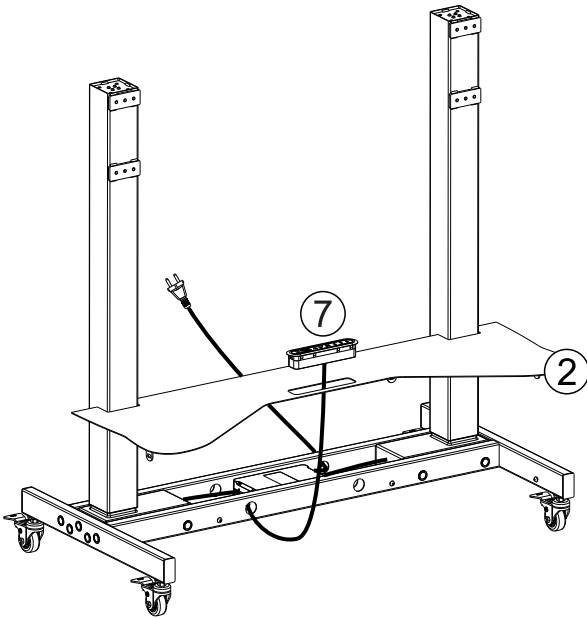
- ⑤ Control Box \*1

## STEP 7



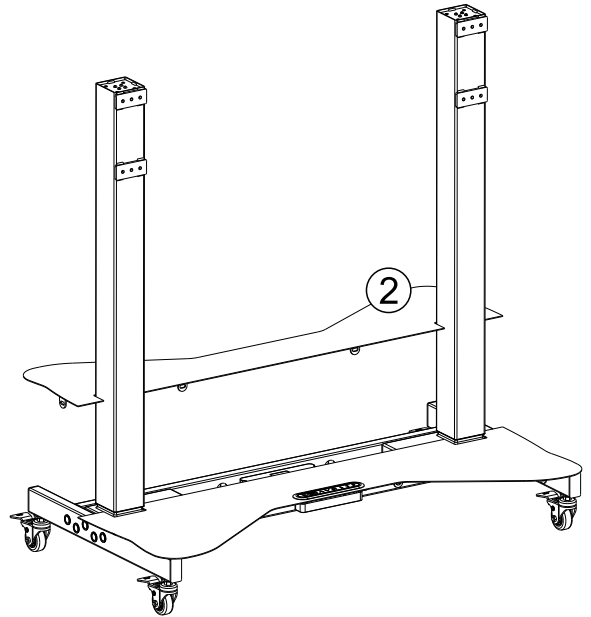
- ⑨ Wires \*1

## STEP 8



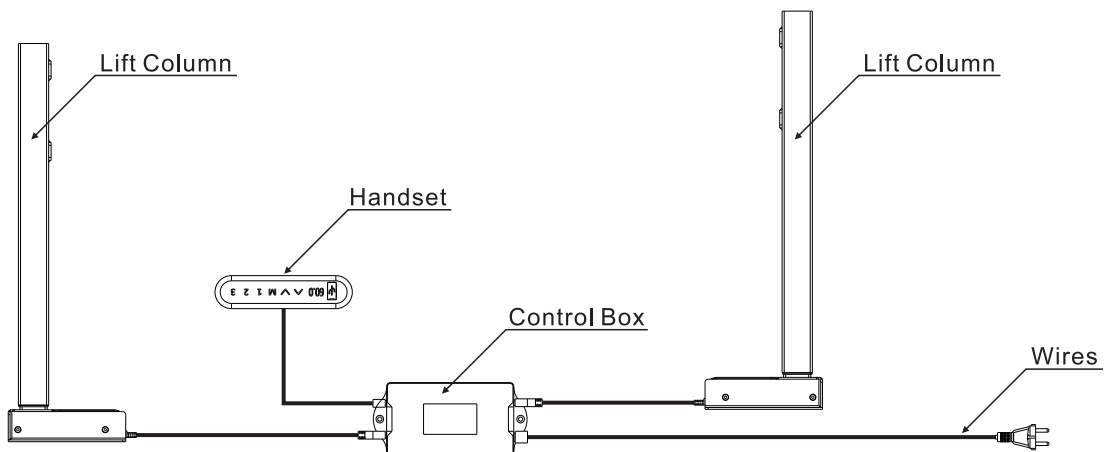
- ② Cover Plate b \*1
- ⑦ Handset \*1

## STEP 9



- ② Cover Plate a \*1

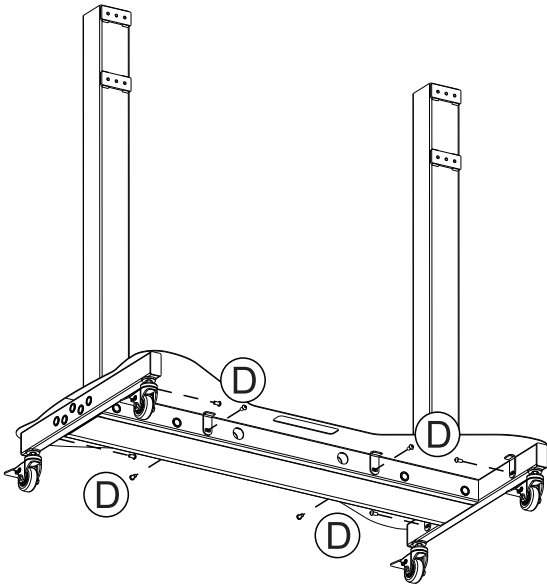
## STEP 10



- ① Lift Column \*2
- ⑤ Control Box \*1
- ⑦ Handset \*1
- ⑨ Wires \*1
- ③ Cable Clips \*5

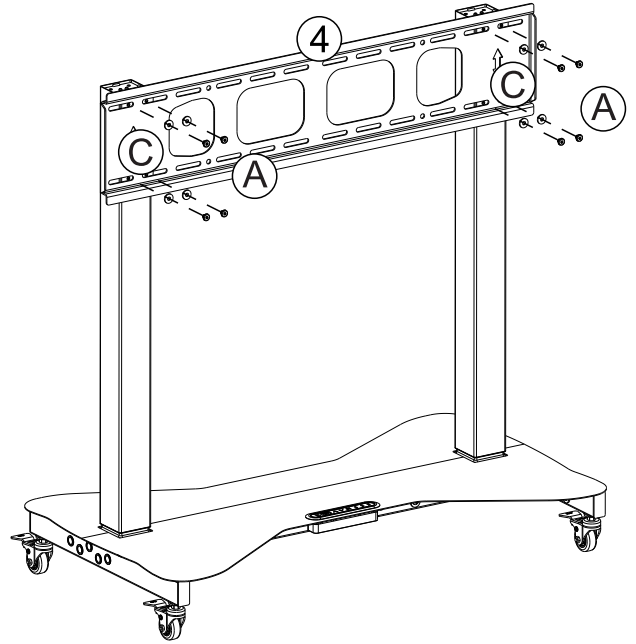
**!** Connect the power.  
Press the control button to raise the lift column slightly.

## STEP 11



ⓓ M6×12 Screws \*8

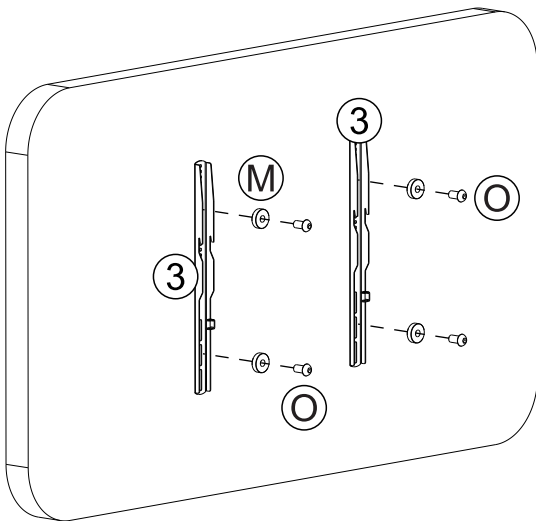
## STEP 12



④ Wall Plate \*1  
 Ⓐ M6×8 Screws \*8  
 Ⓒ Shim \*8

## STEP 13

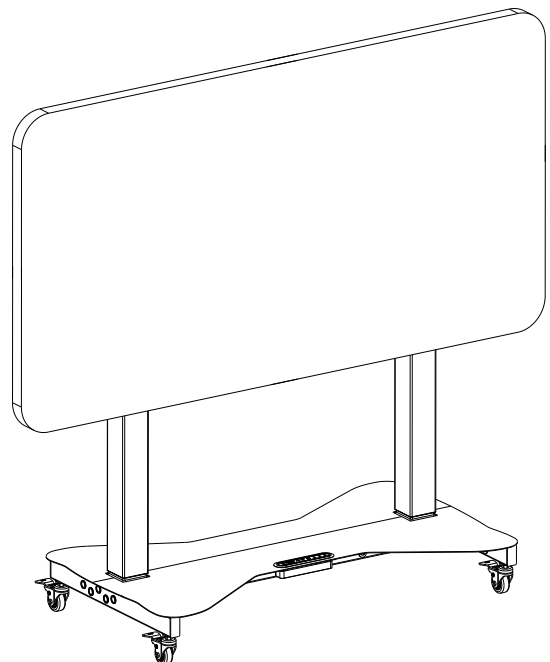
**!** If the screw is too long, use a  $\phi 8 \times \phi 18 \times 10$  Shim to assist in installation (note that the  $\phi 8 \times \phi 18 \times 10$  Shim(L) directly contacts the back of the TV).



③ TV Bracket \*2  
 Ⓜ M6X $\phi$ 16X1.5 \*4  
 Ⓞ M4×25 Screws \*4

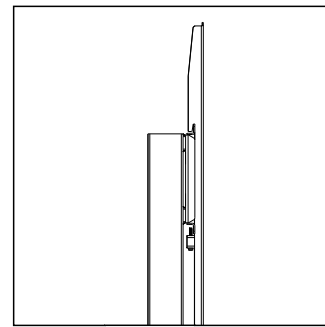
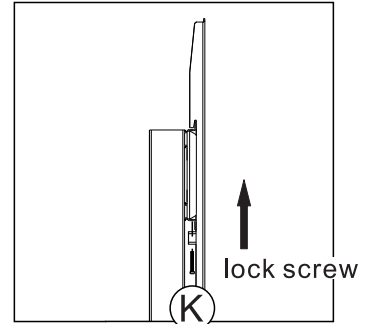
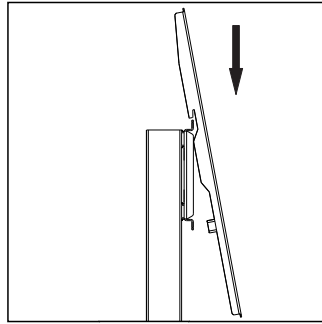
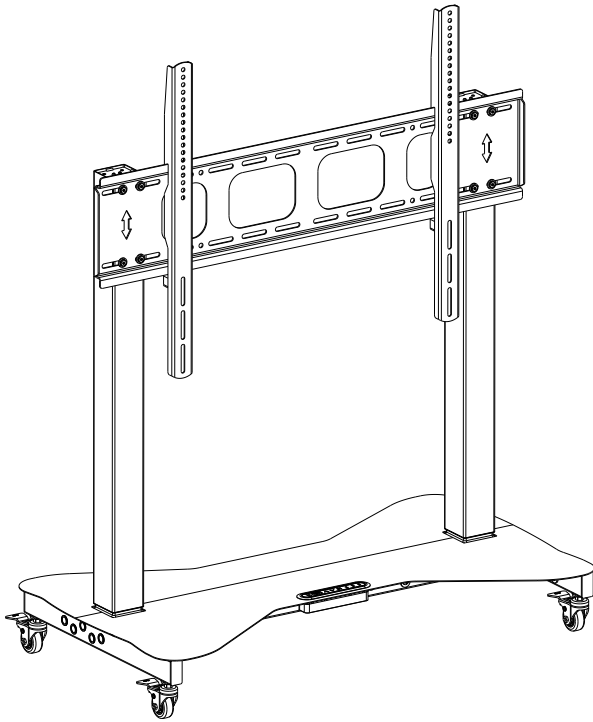
## STEP 14

**NOTE:** For details, please refer to Step 15.



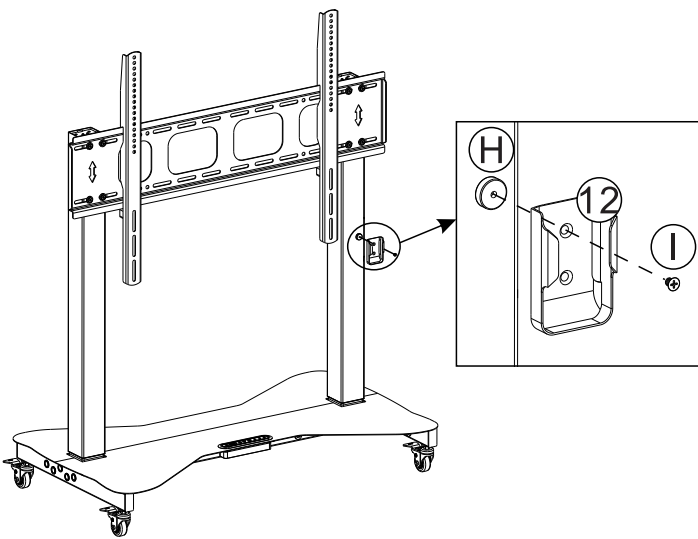
**!** Attention! You must first raise the pillar before hanging the screen.

# STEP 15



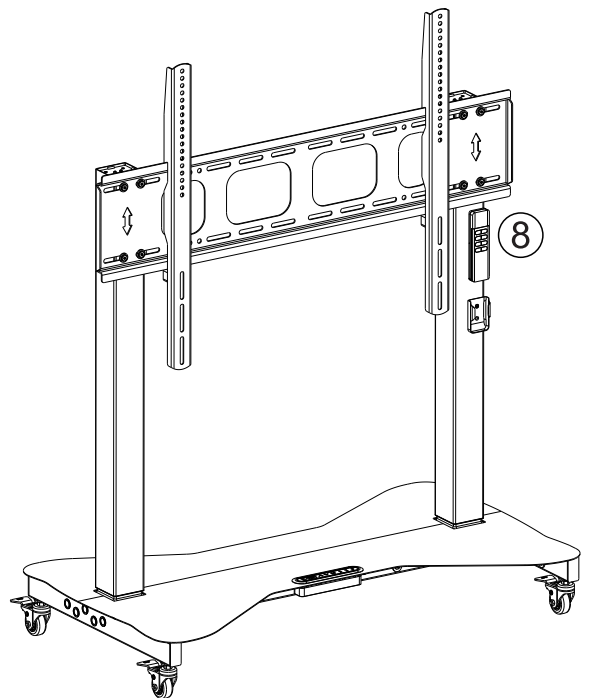
Ⓚ M5×40 Screws \*2

# STEP 16



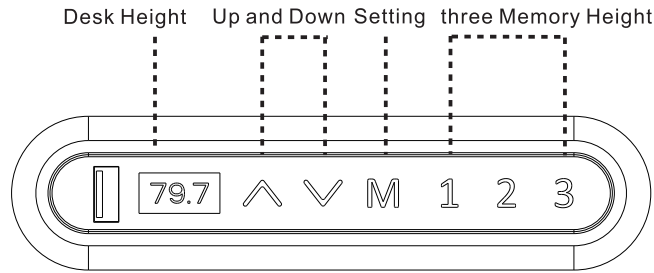
⑫ Shelf \*1  
Ⓜ Pot Magnet \*1  
Ⓛ M4×5 Screws \*1

# STEP 17



⑧ Remote \*1

# Ready To Use



**Before Plugging the table into the outlet, make sure that**

- The lift columns are level and set at the lowest position.
- All the screws are tightened, to avoid the desk making noise and wobbling.

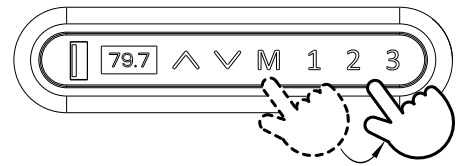
**Activate the desk by following the next steps.**

- Please press button down and hold for 10-15 seconds until it stutters and beeps.
- Release the button, then your desk is ready to use.

## Operation Guide

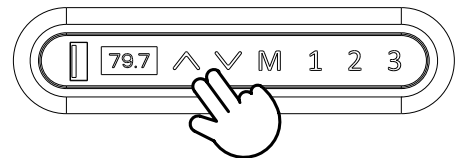
### 1. Memory desired height

- Press button "M", display show "S-" with flash.
- Press number and set desired position.



### 2. Advanced Safety feature- lock and unlock the table.

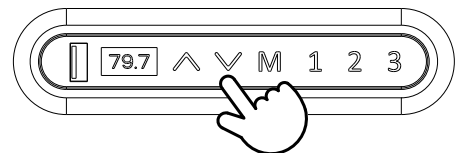
- Press button up and down at same time for 5 seconds, display "LOC"
- All single button will be inactive and table will be unable to move.
- Pressing button up and down together will unlock the keypad and release the LOC



### 3. Reset the table

**When display show Error code or RST, Please reset the table.**

- Unplug the power cord from the control box.
- Unplug the cable that links the keypad to the control box.
- Wait 3 minutes and plug all the cables in again.
- Do the reset: please press button down and hold for 10-15 seconds until it stutters and beeps.



Press by holding  
10-15 seconds

**If the keypad displays HOT, please unplug and replug and let it cool off for a couple of minutes before proceeding again.**