

NT33-2YDTV(D) Product Specifications



Product

Specifications

NT33-2YDTV(D)

Product Features

- TV Lift Range: 920–1570 ±5 mm
- Column Stroke: 650 mm
- Compatible TV Size: 65–100 inch
- Column: Hole-free design
- Max Load Capacity: 100 kg
- Max Speed: 30 mm/s
- Noise Level: ≤50 dB (no load)
- Anti-collision safety rebound
- Standby Power Consumption: <0.1 W
- Surface Finish (Powder Coating): White / Black / Grey
- Package Size: 1050 × 360 × 285 mm



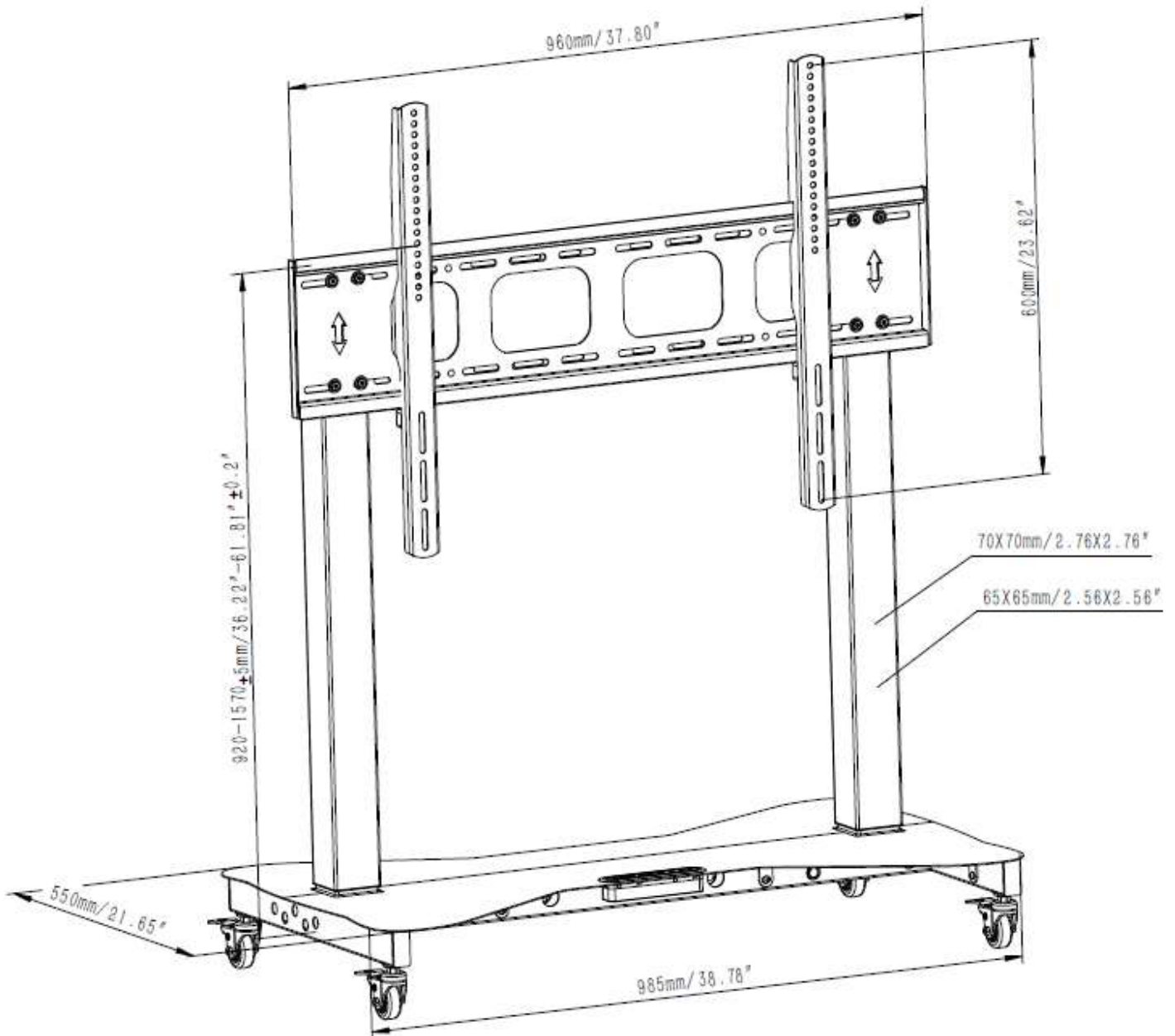
Optional

- Custom colors are acceptable.
- Compatible with any hand controller
- Storage and transportation temperature: -10°C ~ 70°C

How to use

- Work schedule: 10%; 2 minutes of work followed by an 18-minute break.
- Usage environment: Indoor

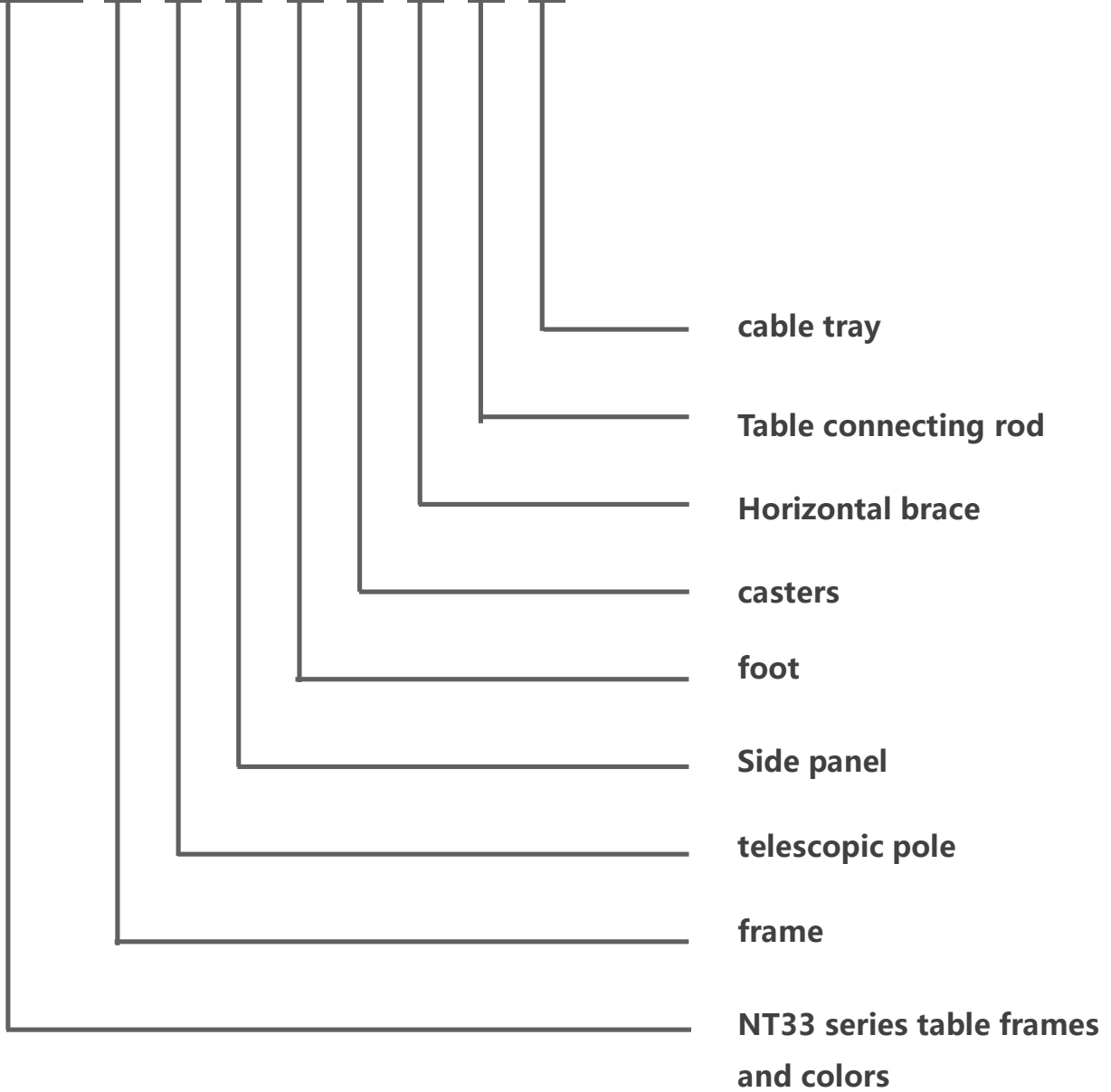
Dimensions



Naming rule

example

NT33 X-X-X-X-X-X-X-X



F represents no pore./A represents formal wear./R represents inverted.../G represents ball bearing.