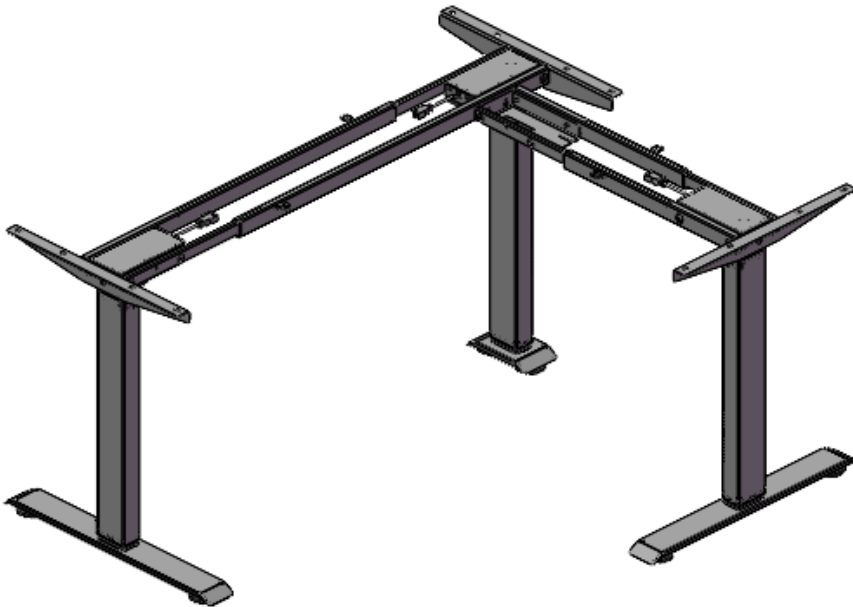


NT33 - 3JRF2

Product Specifications

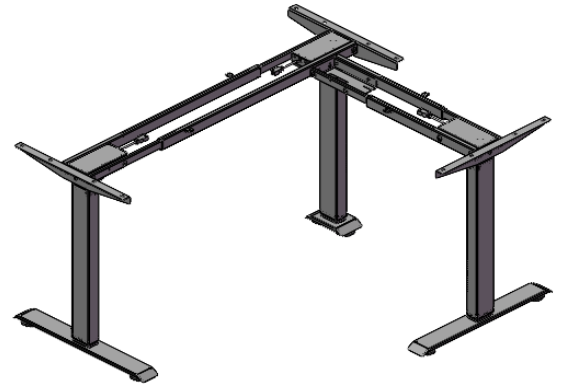


Product Specifications

NT33-3JRF2

Product Features

- Table frame height adjustment range : 695-1195 ± 5 mm
- Column travel : 500mm
- Frame telescopic range : 1100-1800 ± 5 mm
- 710-960 ± 5 mm
- Compatible desktop length range: 1200-2000 mm
- 550-800 mm
- No-hole design for columns
- Maximum load capacity of the entire table : 150kg
- most big speed Degree : 30mm / s
- Low noise sound water Level: No-load ≤50dB
- Obstacle detection and back-off safety protection
- treat machine achievement Consumption : < 0.1W
- surface Surface : Powder coated
White (standard color)
Black (standard color)
Gray (standard color)
- Bag Pack ruler Size : 1020*270*180 / 740*270*125
- Gross weight : 32.4 kg, Net weight : 30.4 kg



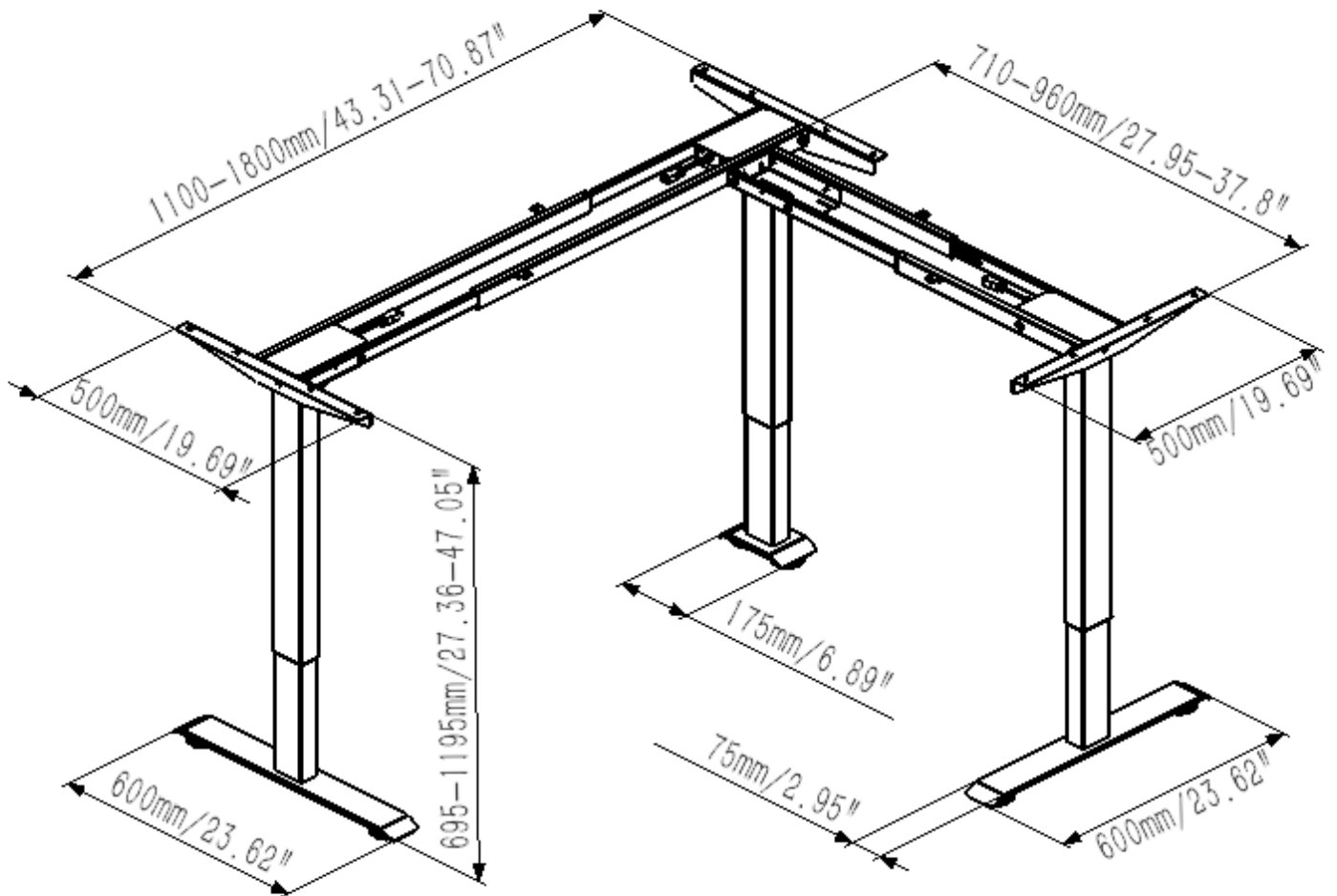
Optional

- Custom colors are acceptable.
- Compatible with any hand controller

How to use

- Work schedule: 10%; 2 minutes of work followed by an 18-minute break.
- Usage environment: Indoor
- Storage and transportation temperature: -10°C ~ 70°C

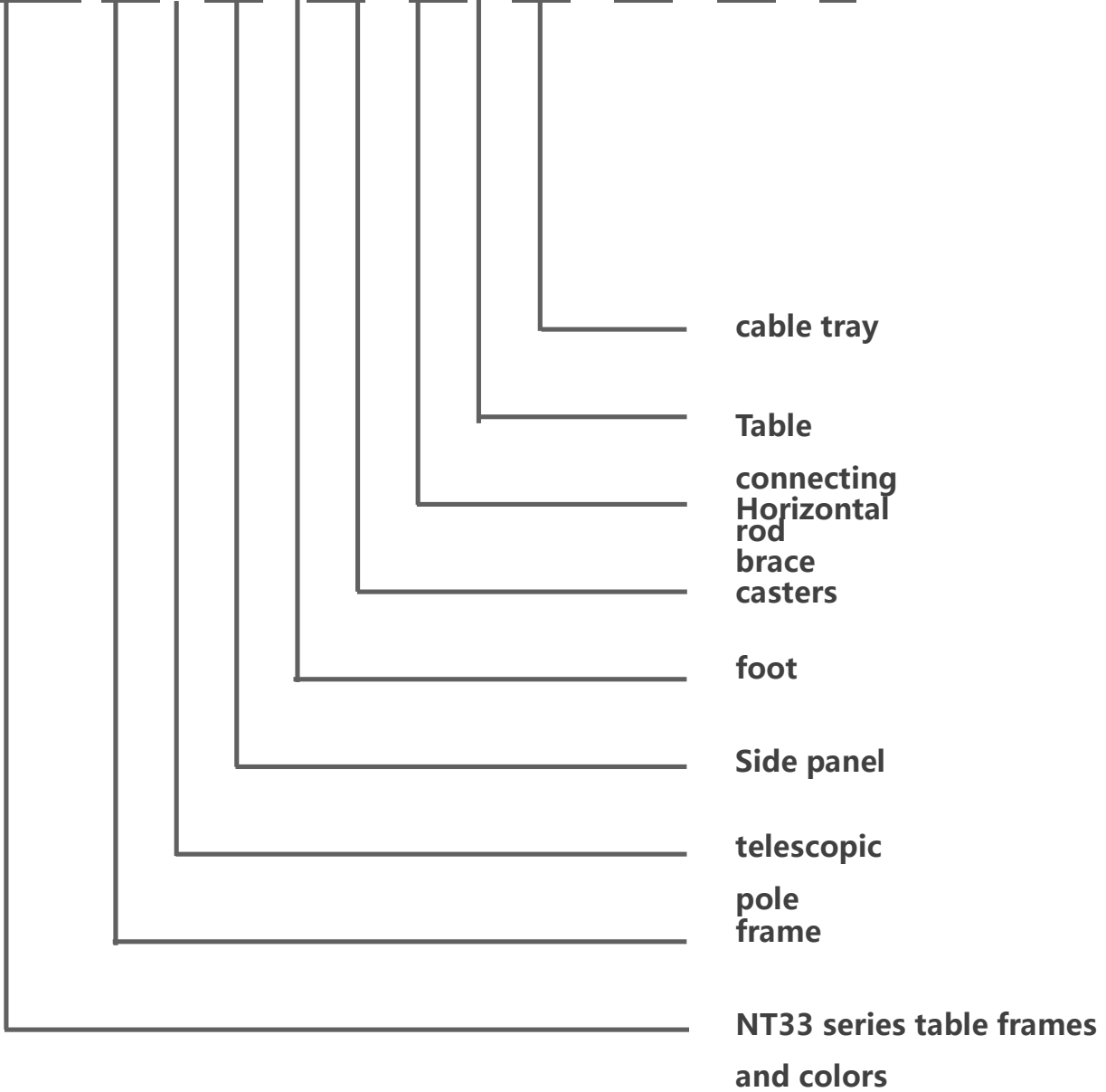
Dimensions



Naming rule

example

NT33 X - X - X - X - X - X - X - X



F represents no hole / A represents standard installation / R represents inverted installation / G represents ball bearing.